

For SRS AirBag

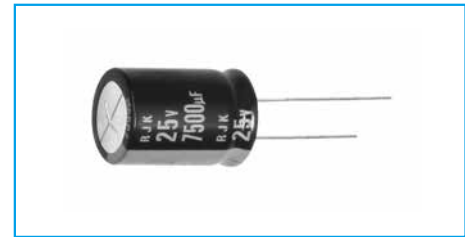
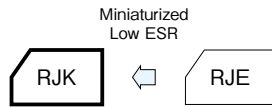
GREEN CAP

105°C  
5000hours

Anti-cleaning solvent

For AirBag

- For SRS AirBag application
- High capacitance, low impedance, and good low temperature behavior.
- Guarantees 5000 hours at 105°C.



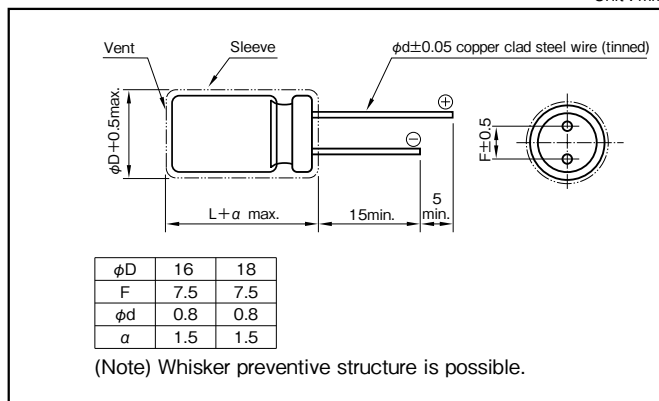
Marking color : White print on a black sleeve

## Specifications

Item	Performance	
Category temperature range (°C)	-55 to +105	
Tolerance at rated capacitance (%)	0 to +30 (20°C, 120Hz)	
Leakage current (µA)	Less than 0.01CV (after 2 minutes) C : Rated capacitance (mF) , V : Rated voltage (V) (20°C)	
Tangent of loss angle (tanδ)	Rated voltage (V)	25      35
	tanδ (max.)	0.20      0.16
0.02 is added to every 1000µF increase over 1000µF (20°C, 120Hz)		
Characteristics at high and low temperature	Rated voltage (V)	25      35
	Impedance ratio (max.)	Z-55°C/Z+20°C      3      3
(120Hz)		
Endurance (105°C) (Applied ripple current)	Test time	5000 hours
	Leakage current	The initial specified value or less
	Percentage of capacitance change	Within ±30% of initial value
	Tangent of loss angle	300% or less of the initial specified value
Shelf life (105°C)	Test time : 1000hours ; other items are same as the endurance. Voltage application treatment : According to JIS C5101-4	
Applicable standards	JIS C5101-1, -4 1998 (IEC 60384-1 1992, -4 1985)	

## Outline Drawing

Unit : mm



## Coefficient of Frequency for Rated Ripple Current

Frequency (Hz)	120	1k	10k	100k
Rated voltage (V)	0.80	0.85	0.95	1
25, 35				

## Part numbering system (example : 25V4200µF)

RJK	—	25	V	422	A	J5	#Q	—	□
Series code		Rated voltage symbol		Rated capacitance symbol	Capacitance tolerance symbol	Casing symbol	Optional symbol		Taping(Forming) symbol

If it is whisker preventive structure, should change “#” into “G”.

Standard Ratings

Case φD × L (mm)	Item Casing symbol	25				35			
		Capacitance (μF)	ESR (Ω max. / 100kHz)		Rated ripple current (mA <sub>rms</sub> )	Capacitance (μF)	ESR (Ω max. / 100kHz)		Rated ripple current (mA <sub>rms</sub> )
			20°C	- 40°C			20°C	- 40°C	
16 × 20	J5	4200	0.033	0.095	2250	2500	0.033	0.095	2250
18 × 20	K5	5300	0.029	0.082	2500	3100	0.029	0.082	2500
16 × 25	J6	5900	0.024	0.073	2600	3500	0.024	0.073	2600
18 × 25	K6	7500	0.022	0.063	2800	4500	0.022	0.063	2800
16 × 31.5	J7	8000	0.021	0.052	3200	4700	0.021	0.052	3200
18 × 31.5	K7	9500	0.019	0.046	3500	5600	0.019	0.046	3500
16 × 35.5	J8	10000	0.019	0.045	3500	6000	0.019	0.045	3500
18 × 35.5	K8	11000	0.017	0.040	3800	6600	0.017	0.040	3800
16 × 40	J9	11000	0.017	0.040	3700	7100	0.017	0.040	3700
18 × 40	K9	14000	0.015	0.035	4000	8400	0.015	0.035	4000

(Note) Rated ripple current : 105°C, 100kHz