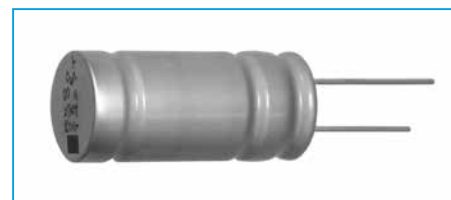


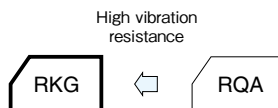
150°C Use, Miniature, Low ESR, High Vibration Resistance Capacitors

| | | | | |
|-----------|---------------------------|---------|-----------------|-----------------------|
| GREEN CAP | High Vibration Resistance | Low ESR | 150°C 2000hours | Anti-cleaning solvent |
|-----------|---------------------------|---------|-----------------|-----------------------|

- Vibration resistance (40G, 10 to 2000Hz, X, Y, Z = per 2 hours).
- For Automotive application (ABS and electric power steering etc.)
- Guaranteed 2000 hours at 150°C (63V, 80V : 1000 hours)



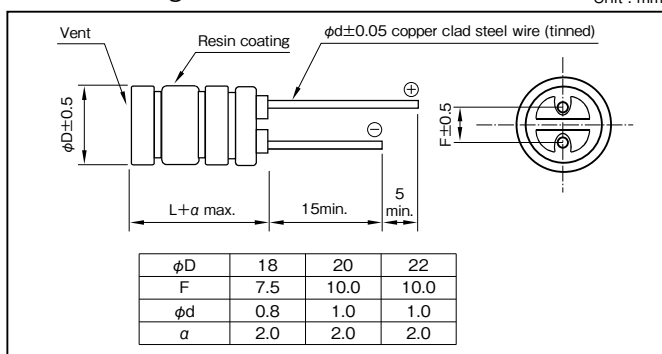
Marking color : Black print



Specifications

| Item | Performance | | | | | |
|---|---|---|------|------|------|------|
| Category temperature range (°C) | -40 to +150 | | | | | |
| Tolerance at rated capacitance (%) | ±20 (20°C, 120Hz) | | | | | |
| Leakage current (µA) | Less than 0.01CV or 3 whichever is larger (after 2 minutes) C : Rated capacitance (µF), V : Rated voltage (V) (20°C) | | | | | |
| Tangent of loss angle (tanδ) | Rated voltage (V) | 25 | 35 | 50 | 63 | 80 |
| | tanδ (max.) | 0.14 | 0.12 | 0.10 | 0.10 | 0.08 |
| 0.02 is added to every 1000µF increase over 1000µF. (20°C, 120Hz) | | | | | | |
| Characteristics at high and low temperature | Rated voltage (V) | 25 | 35 | 50 | 63 | 80 |
| | Impedance ratio (max.) | Z-40°C/Z+20°C | 3 | 3 | 3 | 3 |
| (120Hz) | | | | | | |
| Endurance (150°C or 125°C) (Applied ripple current) | Test time | 2000 hours (63V, 80V : 1000 hours) | | | | |
| | Leakage current | The initial specified value or less | | | | |
| | Percentage of capacitance change | Within ±30% of initial value | | | | |
| | Tangent of the loss angle | 300% or less of the initial specified value | | | | |
| Shelf life (150°C) | Test time : 1000hours ; other items are same as the endurance. Voltage application treatment : According to JIS C5101-4 | | | | | |
| Vibration | Vibration test condition | | | | | |
| | Frequency range | 10 to 2000Hz | | | | |
| | Displacement amplitude | 1.5 mm max. | | | | |
| | Acceleration | 40G (392m/s ²) max. | | | | |
| | Sweep rate | 0.5 octave/min. | | | | |
| | Vibration axis and duration | X, Y, Z per 2 hours, total 6 hours | | | | |
| Fixation | Capacitor mounted by its body which is rigidly clamped to the work surface. | | | | | |
| Specification after test | | | | | | |
| Leakage current | The initial specified value or less | | | | | |
| Percentage of capacitance change | Within ±30% of initial value | | | | | |
| Tangent of the loss angle | 300% or less of the initial specified value | | | | | |
| Applicable standards | JIS C5101-1, -4 1998 (IEC 60384-1 1992, -4 1985) | | | | | |

Outline Drawing



Coefficient of Frequency for Rated Ripple Current

| Rated capacitance (µF) | 120 | 1k | 10k | 100k |
|------------------------|------|------|------|------|
| 800 to 1000 | 0.75 | 0.90 | 1.00 | 1 |
| 1100 to 4700 | 0.85 | 0.95 | 1.00 | 1 |

Part numbering system (example : 35V2700µF)

| | | | | | | | | | |
|-------------|---|----------------------|---|--------------------------|------------------------------|---------------|---|---|----------------|
| RKG | — | 35 | V | 272 | M | K9 | # | — | □ |
| Series code | | Rated voltage symbol | | Rated capacitance symbol | Capacitance tolerance symbol | Casing symbol | | | Forming symbol |

Standard Ratings

| Rated voltage (V) | Item | 25 | | | | 35 | | | | 50 | | | | | | | | | |
|-------------------|-------------|------|---------------|-----------------------|------|---|---|------|---------------|-----------------------|---|---|---|---|---|---|---|---|---|
| | | Case | Casing symbol | ESR (Ω max. / 100kHz) | | Rated ripple current (mA Arms / 100kHz) | | Case | Casing symbol | ESR (Ω max. / 100kHz) | | Rated ripple current (mA Arms / 100kHz) | | | | | | | |
| 1800 | φD × L (mm) | — | — | — | — | — | — | — | — | — | — | — | — | — | — | — | — | — | — |
| 2400 | — | — | — | — | — | — | — | — | — | — | — | — | — | — | — | — | — | — | — |
| 2700 | — | — | — | — | — | — | — | — | — | — | — | — | — | — | — | — | — | — | — |
| 3300 | — | — | — | — | — | — | — | — | — | — | — | — | — | — | — | — | — | — | — |
| 3900 | 18 × 42 | K9 | 0.020 | 0.11 | 3100 | 8000 | — | — | — | — | — | — | — | — | — | — | — | — | — |
| 4700 | 20 × 42 | L9 | 0.018 | 0.10 | 3500 | 10000 | — | — | — | — | — | — | — | — | — | — | — | — | — |
| | 22 × 42 | N9 | 0.018 | 0.10 | 3700 | 10500 | — | — | — | — | — | — | — | — | — | — | — | — | — |

| Rated voltage (V) | Item | 63 | | | | 80 | | | | | | | | | | | | | |
|-------------------|---------|------|---------------|-----------------------|------|---|---|------|---------------|-----------------------|---|---|---|---|---|---|---|---|---|
| | | Case | Casing symbol | ESR (Ω max. / 100kHz) | | Rated ripple current (mA Arms / 100kHz) | | Case | Casing symbol | ESR (Ω max. / 100kHz) | | Rated ripple current (mA Arms / 100kHz) | | | | | | | |
| 800 | — | — | — | — | — | — | — | — | — | — | — | — | — | — | — | — | — | — | — |
| 1000 | — | — | — | — | — | — | — | — | — | — | — | — | — | — | — | — | — | — | — |
| 1100 | — | — | — | — | — | — | — | — | — | — | — | — | — | — | — | — | — | — | — |
| 1200 | 18 × 42 | K9 | 0.034 | 0.12 | 2900 | 7300 | — | — | — | — | — | — | — | — | — | — | — | — | — |
| 1500 | 20 × 42 | L9 | 0.029 | 0.11 | 3300 | 9300 | — | — | — | — | — | — | — | — | — | — | — | — | — |
| 1800 | 22 × 42 | N9 | 0.029 | 0.11 | 3500 | 9800 | — | — | — | — | — | — | — | — | — | — | — | — | — |