

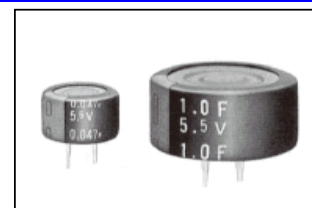
**NEW****DHL series** Electoric Double Layer Capacitor "DYNACAP"**ELNA®**

5.5V Wider Temperature range Capacitors

GREEN  
CAP

85°C

- Wider temperature range (-40~+85°C) than battery.
- φ 13.5×9.5L size can encase up at 0.22F.
- It excels in rapid charge.
- Ideal for backing up of CMOS IC's, microcomputers, RAM's, RTC's and the like used in Electric power meter, Outdoor installation equipment, Automotive applications, Industrial equipment



Marking color:White print on an indigo sleeve

Wider temperature range

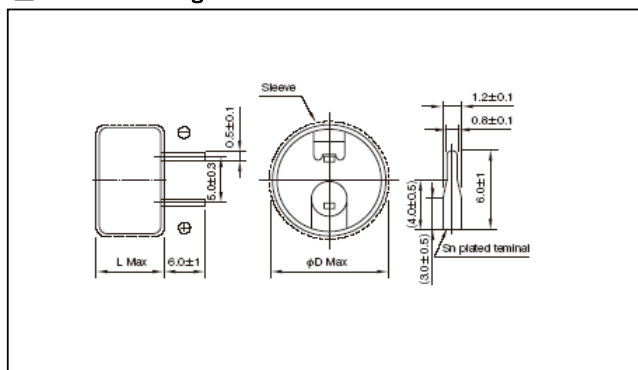
DHL



DH

**Specifications**

Item	Performance				
Category temperature range(°C)	-40~+85				
Tolerance at rated capacitance(%)	-20~+80				
Internal resistance at 1kHz(Ω)	Rated capacitance(F)	0.047	0.1	0.22	1.0
	Internal resistance (Ω)	40	40	40	20
Characteristics at high and low temperature	Percentage of capacitance change	Within ±30% of the value at 20°C			
	Internal resistance	-40°C: Less than 7 times of the value at 20°C 85°C: Less than 5 times of the value at 20°C			
Endurance(85°C)	Test time	1000 hours			
	Percentage of capacitance change	Within ±30% of the initial measured value			
	Internal resistance	Within 4 times of the initial specified value			
Shelf life(85°C)	Test time:1000 hours;Same as endurance.				
Applicable standards	Conform to JIS C 5160-1 2009				

**Outline Drawing****Part numbering system (example:5.5V0.1F)**

DHL	—	5R5	D	104	T
Series code		Max.operating voltage symbol		Rated capacitance symbol	

Part number is refer to below tabale.

**Standard Ratings**

Max operating voltage(V)	Rated capacitance(F)	ELNA Parts No.	φ D × L (mm)
5.5	0.047	DHL-5R5D473T	13.5 × 9.5
5.5	0.1	DHL-5R5D104T	13.5 × 9.5
5.5	0.22	DHL-5R5D224T	13.5 × 9.5
5.5	1.0	DHL-5R5D105T	21.5 × 9.5

**NOTE**

Design,Specifications are subject to change without notice.  
Ask factory for technical specifications before purchase and/or use.

**ELNA CO., LTD.**

3-8-11 Shin-yokohama,kouhoku-ku,yokohama-city,kanagawa,222-0033 JAPAN  
TEL. +81-45-470-7254 FAX. +81-45-470-7260

**ELNA Co.,LTD.**<http://www.elna.co.jp/>