

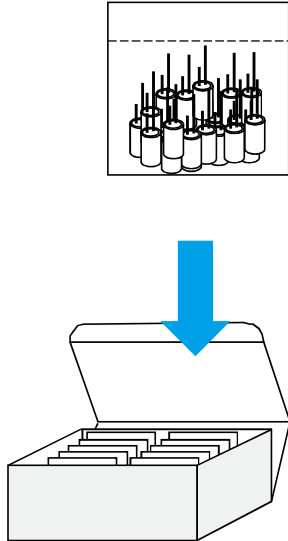
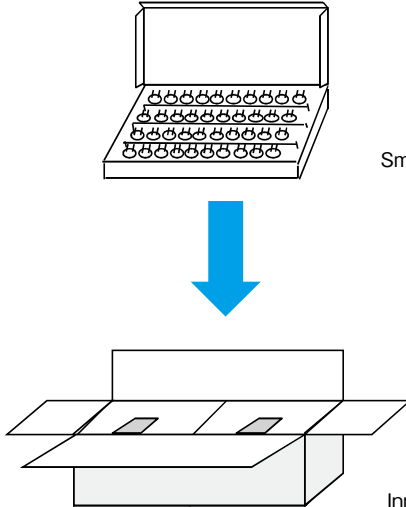
Standard packing specification of aluminum (Conductive Polymer, Hybrid) electrolytic capacitors (taping article)

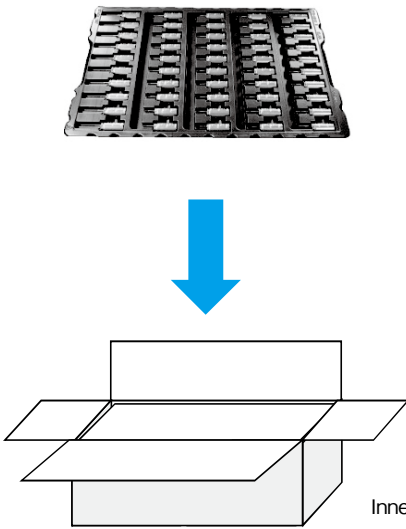
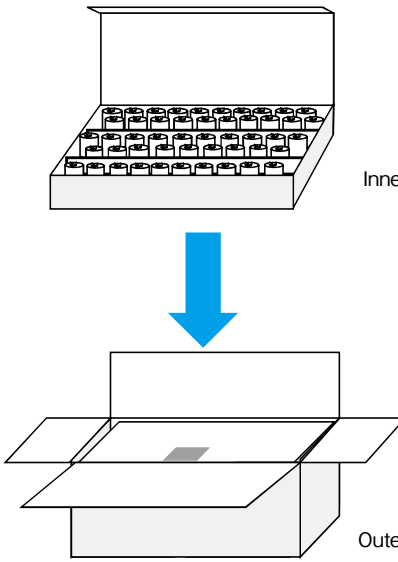
Classification	Chip type	
	Conductive Polymer Hybrid Aluminum Electrolytic Capacitors, Aluminum electrolytic capacitors	Aluminium electrolytic capacitors with conductive polymer solid electrolyte
Packing style	<p>Reel</p> <p>Inner box</p>	<p>Reel</p> <p>Dampproof bag</p> <p>Inner box</p>

Classification	Lead terminal type																																																																										
Packing style	<p>Flat box</p> <p>Inner box</p>	<p>Packing size and quantity</p> <table border="1"> <thead> <tr> <th rowspan="2">Case size</th> <th colspan="3">Size (mm)</th> <th rowspan="2">Quantity (pcs)</th> </tr> <tr> <th>W</th> <th>L</th> <th>H</th> </tr> </thead> <tbody> <tr><td>φ4×5, φ4×7</td><td>210</td><td>340</td><td>55</td><td>2,000</td></tr> <tr><td>φ5×5, φ5×7</td><td>270</td><td>340</td><td>55</td><td>2,000</td></tr> <tr><td>φ6.3×5, φ6.3×7</td><td>300</td><td>340</td><td>55</td><td>2,000</td></tr> <tr><td>φ8×5, φ8×7</td><td>270</td><td>340</td><td>55</td><td>1,000</td></tr> <tr><td>φ5×11, φ5×11.5</td><td>265</td><td>340</td><td>55</td><td>2,000</td></tr> <tr><td>φ6.3×11, φ6.3×11.5</td><td>300</td><td>340</td><td>60</td><td>2,000</td></tr> <tr><td>φ8×11.5, φ8×12</td><td>265</td><td>340</td><td>55</td><td>1,000</td></tr> <tr><td>φ8×15, φ8×20</td><td>255</td><td>345</td><td>65</td><td>1,000</td></tr> <tr><td>φ10×12.5, φ10×16</td><td>215</td><td>340</td><td>60</td><td>500</td></tr> <tr><td>φ10×20</td><td>210</td><td>340</td><td>65</td><td>500</td></tr> <tr><td>φ12.5×15</td><td>290</td><td>340</td><td>65</td><td>500</td></tr> <tr><td>φ12.5×20</td><td>290</td><td>340</td><td>65</td><td>500</td></tr> <tr><td>φ12.5×25</td><td>290</td><td>340</td><td>70</td><td>500</td></tr> </tbody> </table>	Case size	Size (mm)			Quantity (pcs)	W	L	H	φ4×5, φ4×7	210	340	55	2,000	φ5×5, φ5×7	270	340	55	2,000	φ6.3×5, φ6.3×7	300	340	55	2,000	φ8×5, φ8×7	270	340	55	1,000	φ5×11, φ5×11.5	265	340	55	2,000	φ6.3×11, φ6.3×11.5	300	340	60	2,000	φ8×11.5, φ8×12	265	340	55	1,000	φ8×15, φ8×20	255	345	65	1,000	φ10×12.5, φ10×16	215	340	60	500	φ10×20	210	340	65	500	φ12.5×15	290	340	65	500	φ12.5×20	290	340	65	500	φ12.5×25	290	340	70	500
Case size	Size (mm)			Quantity (pcs)																																																																							
	W	L	H																																																																								
φ4×5, φ4×7	210	340	55	2,000																																																																							
φ5×5, φ5×7	270	340	55	2,000																																																																							
φ6.3×5, φ6.3×7	300	340	55	2,000																																																																							
φ8×5, φ8×7	270	340	55	1,000																																																																							
φ5×11, φ5×11.5	265	340	55	2,000																																																																							
φ6.3×11, φ6.3×11.5	300	340	60	2,000																																																																							
φ8×11.5, φ8×12	265	340	55	1,000																																																																							
φ8×15, φ8×20	255	345	65	1,000																																																																							
φ10×12.5, φ10×16	215	340	60	500																																																																							
φ10×20	210	340	65	500																																																																							
φ12.5×15	290	340	65	500																																																																							
φ12.5×20	290	340	65	500																																																																							
φ12.5×25	290	340	70	500																																																																							

Please inquire for details.

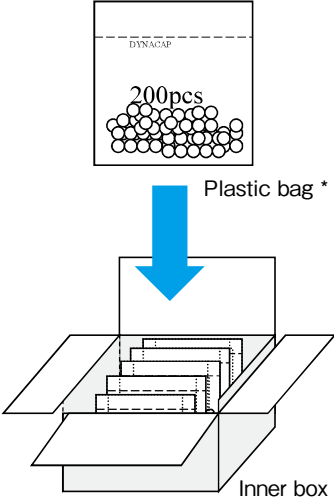
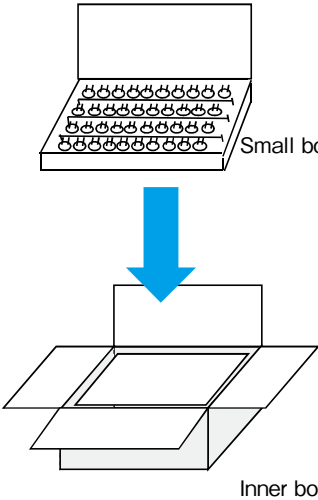
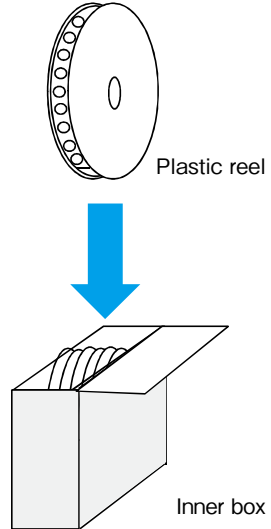
■ Standard packing specification of aluminum electrolytic capacitors (long lead, lead forming)

Classification	Long lead, Lead forming of $\phi 10$ or less (Standard packing)	Lead forming of $\phi 12.5$ or more (Standard packing)
Packing style	 <p>Plastic bag</p> <p>Inner box</p>	 <p>Small box</p> <p>Inner box</p>

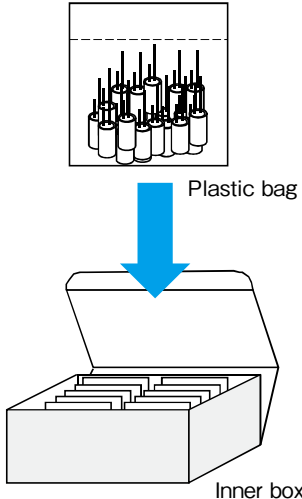
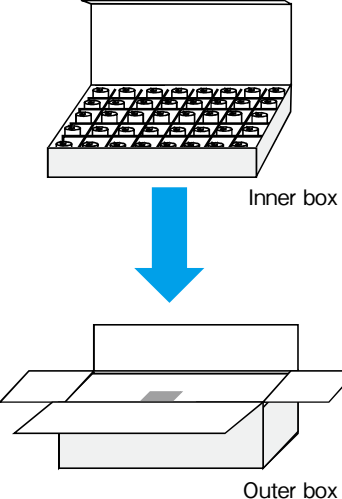
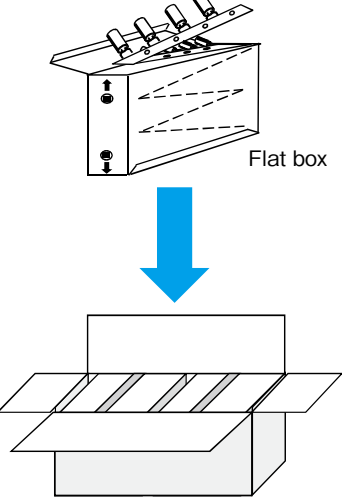
Classification	$\phi 10$ to $\phi 22$ (Optional packing)	$\phi 22$ or more (Standard packing)
Packing style	 <p>Tray</p> <p>Inner box</p>	 <p>Inner box</p> <p>Outer box</p>

Please inquire for details.

Standard packing specification of Coin cell type

Series	<ul style="list-style-type: none"> • DC, DCK (614, 621) • DX, DXJ, DXN, DXS • DB, DBN, DBJ, DBS, DH, DHL, DHC ($\phi 13.5$) 	<ul style="list-style-type: none"> • DB, DBN, DBJ, DBS, DH, DHL, DHC ($\phi 21.5$) 	<ul style="list-style-type: none"> • DS, DSK (414, 614, 621) • DVN, DVL, DVS
Packing style	 <p>Plastic bag *</p> <p>Inner box</p> <p>* DC, DCK : Vacuum packing</p>	 <p>Small box</p> <p>Inner box</p>	 <p>Plastic reel</p> <p>Inner box</p>

Standard packing specification of Cylindrical cell type

Series	<ul style="list-style-type: none"> • DU, DUK, DZ, DZN, DZH ($\phi 6.3$ to $\phi 18$) • DZP 	<ul style="list-style-type: none"> • DZ, DZN, DZH ($\phi 22$ or more) 	<ul style="list-style-type: none"> • DU, DUK, DZ, DZN, DZH ($\phi 6.3$ to $\phi 12.5$) Taping
Packing style	 <p>Plastic bag</p> <p>Inner box</p>	 <p>Inner box</p> <p>Outer box</p>	 <p>Flat box</p> <p>Inner box</p> <p>Box size are described on page 20.</p>

Please inquire for details.