

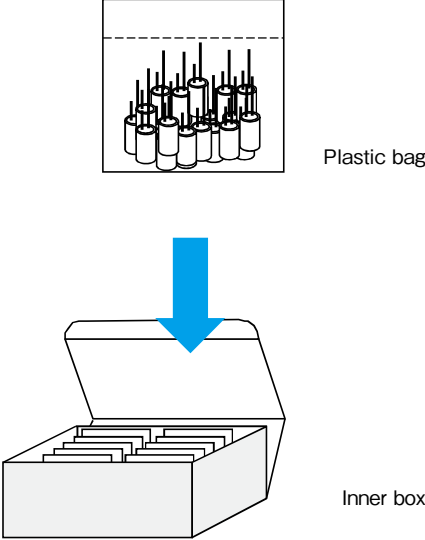
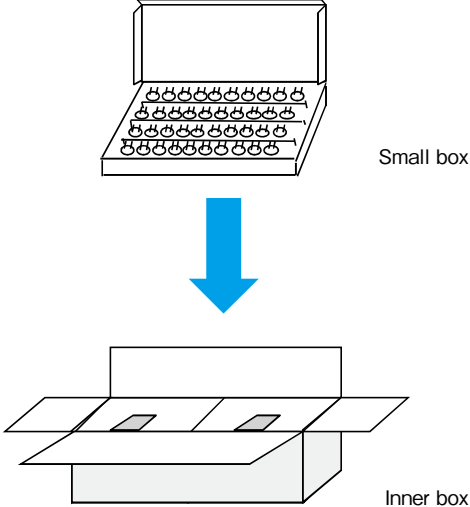
Standard packing specification of aluminum (Conductive Polymer, Hybrid) electrolytic capacitors (taping article)

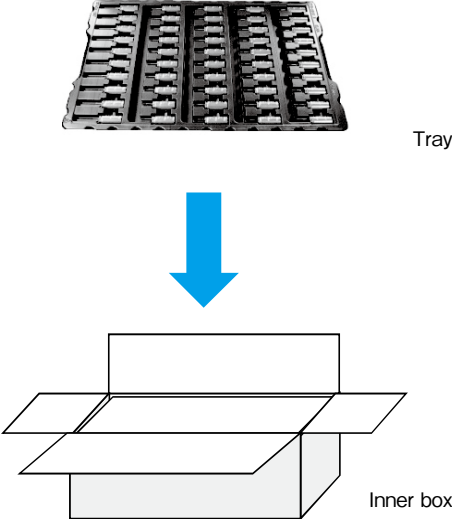
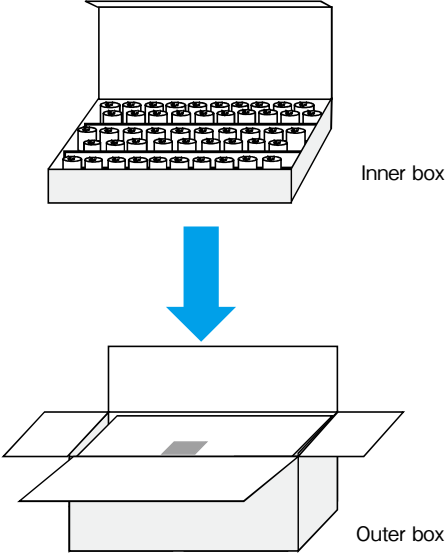
Classification	Chip type	
	Aluminum electrolytic capacitors	Polymer hybrid type aluminum electrolytic capacitors, Aluminium electrolytic capacitors with conductive polymer solid electrolyte
Packing style	<p>Reel</p> <p>Inner box</p>	<p>Reel</p> <p>Dampproof bag</p> <p>Inner box</p>

Classification	Lead terminal type																																																																										
Packing style	<p>Flat box</p> <p>Inner box</p>	<p>Packing size and quantity</p> <table border="1"> <thead> <tr> <th rowspan="2">Case size</th> <th colspan="3">Size (mm)</th> <th rowspan="2">Quantity (pcs)</th> </tr> <tr> <th>W</th> <th>L</th> <th>H</th> </tr> </thead> <tbody> <tr> <td>$\phi 4 \times 5, \phi 4 \times 7$</td> <td>215</td> <td>335</td> <td>50</td> <td>2,000</td> </tr> <tr> <td>$\phi 5 \times 5, \phi 5 \times 7$</td> <td>260</td> <td>335</td> <td>50</td> <td>2,000</td> </tr> <tr> <td>$\phi 6.3 \times 5, \phi 6.3 \times 7$</td> <td>300</td> <td>340</td> <td>50</td> <td>2,000</td> </tr> <tr> <td>$\phi 8 \times 5, \phi 8 \times 7$</td> <td>260</td> <td>335</td> <td>50</td> <td>1,000</td> </tr> <tr> <td>$\phi 5 \times 11, \phi 5 \times 11.5$</td> <td>265</td> <td>340</td> <td>55</td> <td>2,000</td> </tr> <tr> <td>$\phi 6.3 \times 11, \phi 6.3 \times 11.5$</td> <td>300</td> <td>340</td> <td>55</td> <td>2,000</td> </tr> <tr> <td>$\phi 8 \times 11.5, \phi 8 \times 12$</td> <td>265</td> <td>340</td> <td>55</td> <td>1,000</td> </tr> <tr> <td>$\phi 8 \times 15, \phi 8 \times 20$</td> <td>265</td> <td>335</td> <td>65</td> <td>1,000</td> </tr> <tr> <td>$\phi 10 \times 12.5, \phi 10 \times 16$</td> <td>215</td> <td>330</td> <td>55</td> <td>500</td> </tr> <tr> <td>$\phi 10 \times 20$</td> <td>215</td> <td>330</td> <td>60</td> <td>500</td> </tr> <tr> <td>$\phi 12.5 \times 15$</td> <td>290</td> <td>330</td> <td>50</td> <td>500</td> </tr> <tr> <td>$\phi 12.5 \times 20$</td> <td>285</td> <td>330</td> <td>58</td> <td>500</td> </tr> <tr> <td>$\phi 12.5 \times 25$</td> <td>280</td> <td>330</td> <td>65</td> <td>500</td> </tr> </tbody> </table>	Case size	Size (mm)			Quantity (pcs)	W	L	H	$\phi 4 \times 5, \phi 4 \times 7$	215	335	50	2,000	$\phi 5 \times 5, \phi 5 \times 7$	260	335	50	2,000	$\phi 6.3 \times 5, \phi 6.3 \times 7$	300	340	50	2,000	$\phi 8 \times 5, \phi 8 \times 7$	260	335	50	1,000	$\phi 5 \times 11, \phi 5 \times 11.5$	265	340	55	2,000	$\phi 6.3 \times 11, \phi 6.3 \times 11.5$	300	340	55	2,000	$\phi 8 \times 11.5, \phi 8 \times 12$	265	340	55	1,000	$\phi 8 \times 15, \phi 8 \times 20$	265	335	65	1,000	$\phi 10 \times 12.5, \phi 10 \times 16$	215	330	55	500	$\phi 10 \times 20$	215	330	60	500	$\phi 12.5 \times 15$	290	330	50	500	$\phi 12.5 \times 20$	285	330	58	500	$\phi 12.5 \times 25$	280	330	65	500
Case size	Size (mm)			Quantity (pcs)																																																																							
	W	L	H																																																																								
$\phi 4 \times 5, \phi 4 \times 7$	215	335	50	2,000																																																																							
$\phi 5 \times 5, \phi 5 \times 7$	260	335	50	2,000																																																																							
$\phi 6.3 \times 5, \phi 6.3 \times 7$	300	340	50	2,000																																																																							
$\phi 8 \times 5, \phi 8 \times 7$	260	335	50	1,000																																																																							
$\phi 5 \times 11, \phi 5 \times 11.5$	265	340	55	2,000																																																																							
$\phi 6.3 \times 11, \phi 6.3 \times 11.5$	300	340	55	2,000																																																																							
$\phi 8 \times 11.5, \phi 8 \times 12$	265	340	55	1,000																																																																							
$\phi 8 \times 15, \phi 8 \times 20$	265	335	65	1,000																																																																							
$\phi 10 \times 12.5, \phi 10 \times 16$	215	330	55	500																																																																							
$\phi 10 \times 20$	215	330	60	500																																																																							
$\phi 12.5 \times 15$	290	330	50	500																																																																							
$\phi 12.5 \times 20$	285	330	58	500																																																																							
$\phi 12.5 \times 25$	280	330	65	500																																																																							

Please inquire for details.

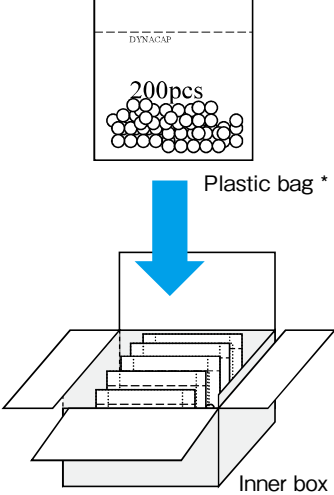
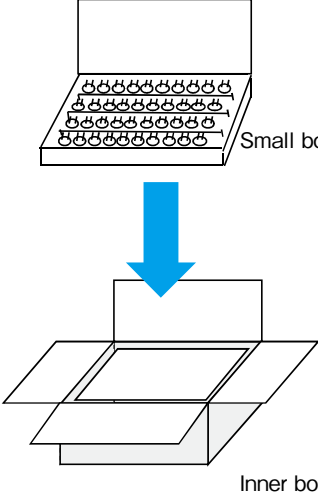
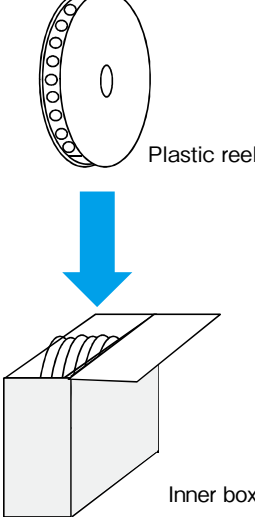
■ Standard packing specification of aluminum electrolytic capacitors (long lead, lead forming)

Classification	Long lead, Lead forming of $\phi 10$ or less (Standard packing)	Lead forming of $\phi 12.5$ or more (Standard packing)
Packing style	 <p>Plastic bag</p> <p>Inner box</p>	 <p>Small box</p> <p>Inner box</p>

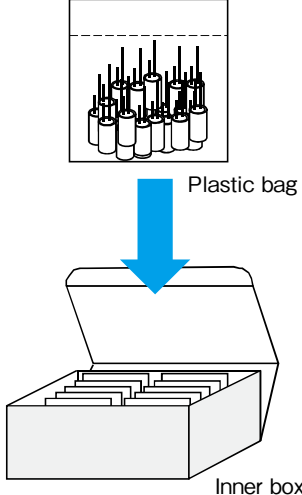
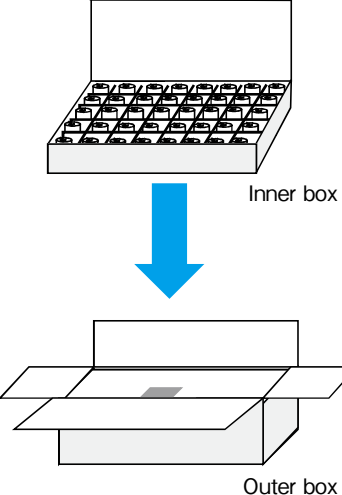
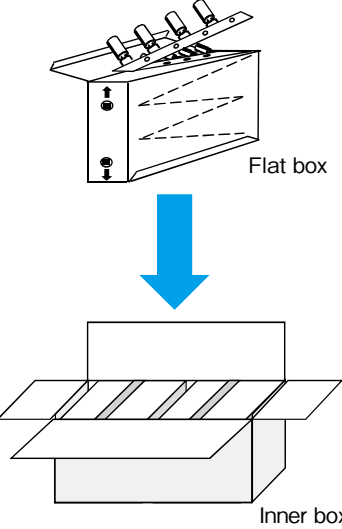
Classification	$\phi 10$ to $\phi 22$ (Optional packing)	$\phi 22$ or more (Standard packing)
Packing style	 <p>Tray</p> <p>Inner box</p>	 <p>Inner box</p> <p>Outer box</p>

Please inquire for details.

Standard packing specification of Coin cell type

Series	<ul style="list-style-type: none"> • DC, DCK (614, 621) • DX, DXJ, DXN, DXS • DB, DBN, DBJ, DBS, DK, DH, DHL, DHC ($\phi 13.5$) 	<ul style="list-style-type: none"> • DB, DBN, DBJ, DBS, DK, DH, DHL, DHC ($\phi 21.5$) 	<ul style="list-style-type: none"> • DS, DSK (414, 614, 621) • DVN, DVL, DVS
Packing style	 <p>Plastic bag *</p> <p>Inner box</p> <p>* DC, DCK : Vacuum packing</p>	 <p>Small box</p> <p>Inner box</p>	 <p>Plastic reel</p> <p>Inner box</p>

Standard packing specification of large type

Series	<ul style="list-style-type: none"> • DU, DY, DZ, DZN, DZH ($\phi 6.3$ to $\phi 18$) • DZP 	<ul style="list-style-type: none"> • DZ, DZN, DZH ($\phi 22$ or more) 	<ul style="list-style-type: none"> • DU, DY, DZ, DZN, DZH ($\phi 6.3$ to $\phi 12.5$) Taping
Packing style	 <p>Plastic bag</p> <p>Inner box</p>	 <p>Inner box</p> <p>Outer box</p>	 <p>Flat box</p> <p>Inner box</p> <p>Box size are described on page 20.</p>

Please inquire for details.