

★NEW

Code in front of series have been extracted from product code, which describes the segment of products, such as type and features.

- Low ESR and high ripple current are realized.
- HTL is resist to vibration. (30G guaranteed)
- Equivalent to conductive polymer type Aluminum Electrolytic Capacitor.  
(There are little characteristics change by temperature and frequency)
- Guaranteed 125° C, 8000 hours.
- Environmental : GREEN CAP™ , RoHS compliance.



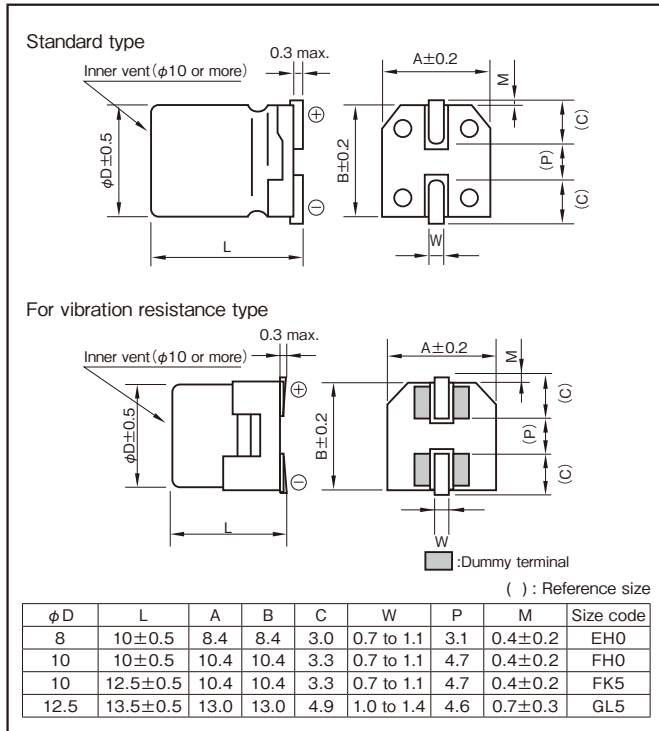
Marking color : Blue print

### Specifications

Item	Performance										
Category temperature range (°C)	-55 to +125										
Tolerance at rated capacitance (%)	±20 (20°C, 120Hz)										
Leakage current (µA) (max.)	0.01CV or 3 whichever is larger (after 2 minutes) C : Rated capacitance (µF) ; V : Rated voltage (V) (20°C)										
Tangent of loss angle (tan δ)	<table border="1"> <thead> <tr> <th>Rated voltage (V)</th> <th>25</th> <th>35</th> <th>50</th> <th>63</th> </tr> </thead> <tbody> <tr> <td>tan δ (max.)</td> <td>0.14</td> <td>0.12</td> <td>0.10</td> <td>0.08</td> </tr> </tbody> </table> (20°C, 120Hz)	Rated voltage (V)	25	35	50	63	tan δ (max.)	0.14	0.12	0.10	0.08
Rated voltage (V)	25	35	50	63							
tan δ (max.)	0.14	0.12	0.10	0.08							
Characteristics at high and low temperature	<table border="1"> <thead> <tr> <th>Impedance ratio (max.)</th> <th>Z-25°C/Z+20°C</th> <th>1.5</th> </tr> </thead> <tbody> <tr> <td></td> <th>Z-55°C/Z+20°C</th> <td>2.0</td> </tr> </tbody> </table> (100kHz)	Impedance ratio (max.)	Z-25°C/Z+20°C	1.5		Z-55°C/Z+20°C	2.0				
Impedance ratio (max.)	Z-25°C/Z+20°C	1.5									
	Z-55°C/Z+20°C	2.0									
Endurance (125°C) (Applied ripple current)	<table border="1"> <thead> <tr> <th>Test time</th> <th>8000 hours</th> </tr> </thead> <tbody> <tr> <td>Leakage current</td> <td>The initial specified value or less</td> </tr> <tr> <td>Percentage of capacitance change</td> <td>Within ±30% of initial value</td> </tr> <tr> <td>Tangent of the loss angle</td> <td>200% or less of the initial specified value</td> </tr> <tr> <td>ESR change</td> <td>200% or less of the initial specified value</td> </tr> </tbody> </table>	Test time	8000 hours	Leakage current	The initial specified value or less	Percentage of capacitance change	Within ±30% of initial value	Tangent of the loss angle	200% or less of the initial specified value	ESR change	200% or less of the initial specified value
Test time	8000 hours										
Leakage current	The initial specified value or less										
Percentage of capacitance change	Within ±30% of initial value										
Tangent of the loss angle	200% or less of the initial specified value										
ESR change	200% or less of the initial specified value										
Shelf life (125°C)	Test time : 1000hours ; other items are same as the endurance. Voltage application treatment : According to JIS C5101-4 4.1.										

### Outline Drawing

Unit : mm



Refer to individual page.

(Soldering conditions, Land pattern size, The taping specifications)

### Coefficient of Frequency for Rated Ripple Current

Frequency (Hz)	50 - 60	120	1k	100k or more	
Rated voltage (V)	6.3 to 100	0.50	0.50	0.75	1

### Product code system (\*For general product)

φ8, φ10 (example : 25V220µF, Standard type)

RS*	HVL	221	M	1T	EH0	002	
Category code	Series code	capacitance code	Cap tol. code	Voltage code	Size code	Taping and packing code	Additional code

φ12.5 (example : 25V820µF, Standard type)

RS*	HVL	821	M	1T	GL5	005	
Category code	Series code	capacitance code	Cap tol. code	Voltage code	Size code	Taping and packing code	Additional code

- For vibration resistance type should change Series code "HVL" into "HTL".
- For details, refer to the various "Product Code System" pages.

NOTE : Design, Specifications are subject to change without notice.  
It is recommended that you shall obtain technical specifications from ELNA to ensure that the component is suitable for your use.

Code in front of series have been extracted from product code, which describes the segment of products, such as type and features.

### Standard Ratings

Rated voltage (V) Rated capacitance (μF)	Item	25 (1T)			35 (1G)			50 (1U)			63 (4E)		
		Case φD×L (mm)	ESR (mΩ max.)	Rated ripple current (mA <sub>rms</sub> )	Case φD×L (mm)	ESR (mΩ max.)	Rated ripple current (mA <sub>rms</sub> )	Case φD×L (mm)	ESR (mΩ max.)	Rated ripple current (mA <sub>rms</sub> )	Case φD×L (mm)	ESR (mΩ max.)	Rated ripple current (mA <sub>rms</sub> )
33	—	—	—	—	—	—	—	—	—	—	8×10	40	1100
56	—	—	—	—	—	—	—	—	—	—	10×10	30	1400
68	—	—	—	—	—	—	—	8×10	30	1250	—	—	—
100	—	—	—	—	—	—	—	10×10	28	1600	10×12.5	26	2000
120	—	—	—	—	—	—	—	—	—	—	12.5×13.5	22	2500
150	—	—	—	8×10	22	1600	10×12.5	24	2500	—	—	—	—
220	8×10	22	1600	—	—	—	—	—	—	—	—	—	—
270	—	—	—	10×10	20	2000	—	—	—	—	—	—	—
330	10×10	20	2000	—	—	—	12.5×13.5	20	3000	—	—	—	—
390	—	—	—	10×12.5	18	3000	—	—	—	—	—	—	—
560	10×12.5	18	3000	12.5×13.5	15	3500	—	—	—	—	—	—	—
820	12.5×13.5	15	3500	—	—	—	—	—	—	—	—	—	—
1000	12.5×13.5	15	3500	—	—	—	—	—	—	—	—	—	—

(Note) Rated ripple current : 125°C , 100kHz ; ESR : 20°C , 100kHz