

Code in front of series have been extracted from product code, which describes the segment of products, such as type and features.

- For SRS AirBag application
- Special tolerance at rated capacitance and high capacitance, and good low temperature behavior.
- Guaranteed 5000 hours at 105°C.
- Environmental : GREEN CAP™ , RoHS compliance.



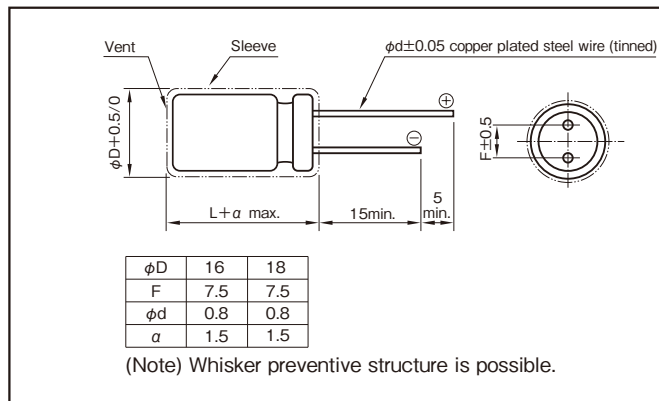
Marking color : White print on a black sleeve

Specifications

Item	Performance						
Category temperature range (°C)	-55 to +105						
Tolerance at rated capacitance (%)	0 to +30 (20°C, 120Hz)						
Leakage current (µA) (max.)	0.01CV (after 2 minutes) C : Rated capacitance (µF) , V : Rated voltage (V) (20°C)						
Tangent of loss angle (tanδ)	<table border="1"> <tr> <td>Rated voltage (V)</td> <td>25</td> <td>35</td> </tr> <tr> <td>tanδ (max.)</td> <td>0.20</td> <td>0.16</td> </tr> </table>	Rated voltage (V)	25	35	tanδ (max.)	0.20	0.16
	Rated voltage (V)	25	35				
tanδ (max.)	0.20	0.16					
0.02 is added to every 1000µF increase over 1000µF (20°C, 120Hz)							
Characteristics at high and low temperature	<table border="1"> <tr> <td>Rated voltage (V)</td> <td>25</td> <td>35</td> </tr> <tr> <td>Impedance ratio (max.)</td> <td>Z-55°C/Z+20°C</td> <td>3</td> </tr> </table>	Rated voltage (V)	25	35	Impedance ratio (max.)	Z-55°C/Z+20°C	3
	Rated voltage (V)	25	35				
Impedance ratio (max.)	Z-55°C/Z+20°C	3					
(120Hz)							
Endurance (105°C)	Test time	5000 hours					
	Leakage current	The initial specified value or less					
	Percentage of capacitance change	Within ±30% of initial value					
	Tangent of loss angle	300% or less of the initial specified value					
Shelf life (105°C)	Test time : 1000hours ; other items are same as the endurance. Voltage application treatment : According to JIS C5101-4 4.1						
Applicable standards	JIS C5101 - 1,- 4 (IEC 60384 - 1,- 4)						

Outline Drawing

Unit : mm



Coefficient of Frequency for Rated Ripple Current

Frequency (Hz)	120	1k	10k	100k
Rated voltage (V)	0.80	0.85	0.95	1

Product code system : 25V4200µF
(*For automotive: powertrain, safety)

RA*	RJK	422	A	1T	J20	300	T
Category code	Series code	capacitance code	Cap tol. code	Voltage code	Size code	Lead-forming and packing code	Additional code

- If it is whisker preventive structure, should change "T" into "G".
 - For details, refer to the various "Product Code System" pages.
 - Lead-forming and packing code on this page are for lead long and standard packing products.
- For standard packing, please refer to the "PACKING" page.

Code in front of series have been extracted from product code, which describes the segment of products, such as type and features.

Standard Ratings

Case φD × L (mm)	Item Size code	25 (1T)				35 (1G)			
		Rated capacitance (μF)	ESR (Ω max.)		Rated ripple current (mA rms)	Rated capacitance (μF)	ESR (Ω max.)		Rated ripple current (mA rms)
			20°C	-40°C			20°C	-40°C	
16 × 20	J20	4200	0.033	0.095	2250	2500	0.033	0.095	2250
18 × 20	K20	5300	0.029	0.082	2500	3100	0.029	0.082	2500
16 × 25	J25	5900	0.024	0.073	2600	3500	0.024	0.073	2600
18 × 25	K25	7500	0.022	0.063	2800	4500	0.022	0.063	2800
16 × 31.5	J31	8000	0.021	0.052	3200	4700	0.021	0.052	3200
18 × 31.5	K31	9500	0.019	0.046	3500	5600	0.019	0.046	3500
16 × 35.5	J35	10000	0.019	0.045	3500	6000	0.019	0.045	3500
18 × 35.5	K35	11000	0.017	0.040	3700	7100	0.017	0.040	3700
16 × 40	J40	11000	0.017	0.040	3800	6600	0.017	0.040	3800
18 × 40	K40	14000	0.015	0.035	4000	8400	0.015	0.035	4000

(Note) Rated ripple current : 105°C, 100kHz ; ESR : 100kHz