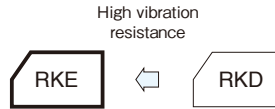


Code in front of series have been extracted from product code, which describes the segment of products, such as type and features.

- Vibration resistance (40G,10 to 2000Hz, X,Y,Z = per 2hours).
- For Automotive application (ABS and electric power steering etc.)
- Guaranteed 5000 hours at 125°C.
- Environmental : GREEN CAP™ , RoHS compliance.



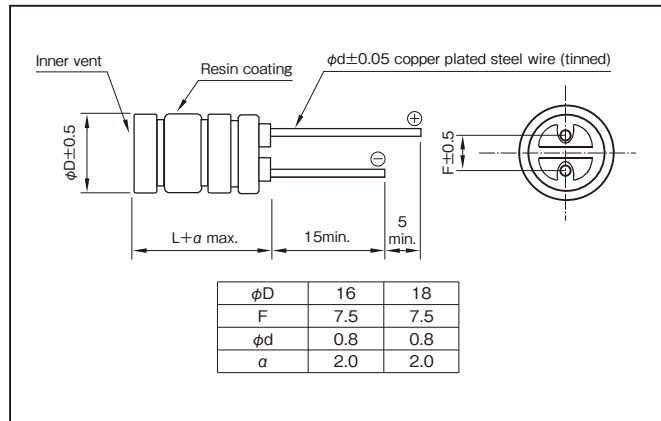
Marking color : Black print

Specifications

Item	Performance			
Category temperature range (°C)	-40 to +125			
Tolerance at rated capacitance (%)	±20 (20°C,120Hz)			
Leakage current (µA) (max.)	0.01CV or 3 whichever is larger (after 2 minutes) C : Rated capacitance (µF), V : Rated voltage (V) (20°C)			
Tangent of loss angle (tanδ)	Rated voltage (V)	25	35	50
	tanδ (max.)	0.14	0.12	0.10
0.02 is added to every 1000µF increase over 1000µF. (20°C,120Hz)				
Characteristics at high and low temperature	Rated voltage (V)	25	35	50
	Impedance ratio (max.)	Z-40°C/Z+20°C	3	3
(120Hz)				
Endurance (125°C) (Applied ripple current)	Test time	5000 hours		
	Leakage current	The initial specified value or less		
	Percentage of capacitance change	Within ±30% of initial value		
	Tangent of the loss angle	300% or less of the initial specified value		
Shelf life (125°C)	Test time : 1000hours ; other items are same as the endurance. Voltage application treatment : According to JIS C5101-4 4.1			
Vibration	Vibration test condition			
	Frequency range	10 to 2000Hz		
	Amplitude or Acceleration	1.5 mm peak to peak or 40G (392m/s ²), whichever is the less severe		
	Sweep rate	0.5 octave/min.		
	Vibration axis and duration	X, Y, Z per 2 hours, total 6 hours		
	Fixation	Capacitor mounted by its body which is rigidly clamped to the work surface.		
	Specification after test			
	Leakage current	The initial specified value or less		
Percentage of capacitance change	Within ±30% of initial value			
Tangent of the loss angle	300% or less of the initial specified value			
Applicable standards	JIS C5101 - 1, - 4 (IEC 60384 - 1, - 4)			

Outline Drawing

Unit : mm



Coefficient of Frequency for Rated Ripple Current

Rated capacitance (µF)	Frequency (Hz)			
	120	1k	10k	100k
1200 to 6800	0.85	0.95	1.00	1

Product code system : 35V2700µF
(*For automotive: powertrain, safety)

RA*	RKE	272	M	1G	K31	300	T
Category code	Series code	capacitance code	Cap tol. code	Voltage code	Size code	Lead-forming and packing code	Additional code

- For details, refer to the various "Product Code System" pages.
 - Lead-forming and packing code on this page are for lead long and standard packing products.
- For standard packing, please refer to the "PACKING" page.

Code in front of series have been extracted from product code, which describes the segment of products, such as type and features.

Standard Ratings

Rated voltage(V) Item Rated capacitance (μ F)	25 (1T)					35 (1G)					50 (1U)				
	Case ϕ D \times L (mm)	Size code	ESR (Ω max.)		Rated ripple current (mArms)	Case ϕ D \times L (mm)	Size code	ESR (Ω max.)		Rated ripple current (mArms)	Case ϕ D \times L (mm)	Size code	ESR (Ω max.)		Rated ripple current (mArms)
			20°C	-40°C				20°C	-40°C				20°C	-40°C	
1200	—	—	—	—	—	—	—	—	—	—	16×31.5	J31	0.048	0.20	2940
1500	—	—	—	—	—	16×31.5	J31	0.024	0.14	3160	16×35.5	J35	0.039	0.16	3300
2200	—	—	—	—	—	16×35.5	J35	0.023	0.13	3590	18×35.5	K35	0.033	0.15	3520
2700	16×31.5	J31	0.024	0.14	3160	18×31.5	K31	0.020	0.11	3410	—	—	—	—	—
3300	16×35.5	J35	0.023	0.13	3590	18×35.5	K35	0.019	0.10	3840	—	—	—	—	—
4700	18×31.5	K31	0.020	0.11	3410	18×40	K40	0.017	0.094	4250	—	—	—	—	—
5600	18×35.5	K35	0.019	0.10	3840	—	—	—	—	—	—	—	—	—	—
6800	18×40	K40	0.017	0.094	4250	—	—	—	—	—	—	—	—	—	—

(Note) Rated ripple current : 125°C , 100kHz ; ESR : 100kHz