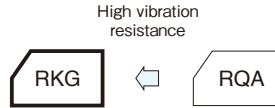


Code in front of series have been extracted from product code, which describes the segment of products, such as type and features.

- Vibration resistance (40G,10 to 2000Hz, X,Y,Z = per 2hours).
- For Automotive application (ABS and electric power steering etc.)
- Guaranteed 2000 hours at 150°C. (63V, 80V : 1000 hours)
- Environmental : GREEN CAP™ , RoHS compliance.

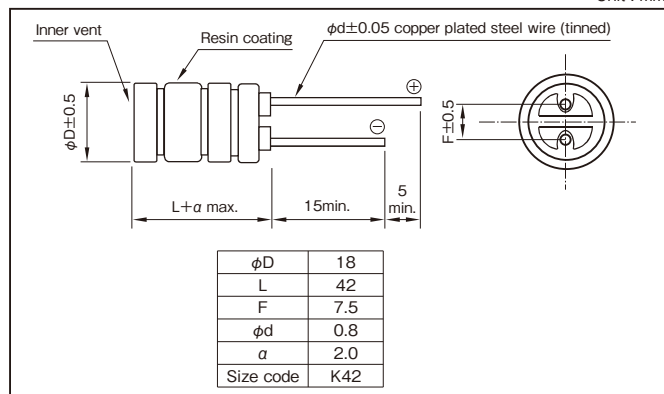


Marking color : Black print

Specifications

Item	Performance					
Category temperature range (°C)	-40 to +150					
Tolerance at rated capacitance (%)	±20 (20°C,120Hz)					
Leakage current (µA) (max.)	0.01CV or 3 whichever is larger (after 2 minutes) C : Rated capacitance (µF), V : Rated voltage (V) (20°C)					
Tangent of loss angle (tanδ)	Rated voltage (V)	25	35	50	63	80
	tanδ (max.)	0.14	0.12	0.10	0.10	0.08
0.02 is added to every 1000µF increase over 1000µF. (20°C,120Hz)						
Characteristics at high and low temperature	Rated voltage (V)	25	35	50	63	80
	Impedance ratio (max.) Z-40°C/Z+20°C	3	3	3	3	3
(120Hz)						
Endurance (150°C or 125°C) (Applied ripple current)	Test time	2000 hours (63V, 80V : 1000 hours)				
	Leakage current	The initial specified value or less				
	Percentage of capacitance change	Within ±30% of initial value				
	Tangent of the loss angle	300% or less of the initial specified value				
Shelf life (150°C)	Test time : 1000hours ; other items are same as the endurance. Voltage application treatment : According to JIS C5101-4 4.1					
Vibration	Vibration test condition					
	Frequency range	10 to 2000Hz				
	Amplitude or Acceleration	1.5 mm peak to peak or 40G (392m/s ²), whichever is the less severe				
	Sweep rate	0.5 octave/min.				
	Vibration axis and duration	X, Y, Z per 2 hours, total 6 hours				
	Fixation	Capacitor mounted by its body which is rigidly clamped to the work surface.				
Specification after test						
Leakage current	The initial specified value or less					
Percentage of capacitance change	Within ±30% of initial value					
Tangent of the loss angle	300% or less of the initial specified value					
Applicable standards	JIS C5101 - 1, - 4 (IEC 60384 - 1, - 4)					

Outline Drawing



Coefficient of Frequency for Rated Ripple Current

Rated capacitance (µF)	Frequency (Hz)			
	120	1k	10k	100k
800	0.75	0.90	1.00	1
1200 to 3900	0.85	0.95	1.00	1

Product code system : 35V2700µF
(*For automotive: powertrain, safety)

RA*	RKG	272	M	1G	K42	300	T
Category code	Series code	capacitance code	Cap tol. code	Voltage code	Size code	Lead-forming and packing code	Additional code

- For details, refer to the various "Product Code System" pages.
 - Lead-forming and packing code on this page are for lead long and standard packing products.
- For standard packing, please refer to the "PACKING" page.

Standard Ratings

Rated voltage (V)	Rated capacitance (µF)	ESR (Ω max. / 100kHz)		Rated ripple current (mA rms / 100kHz)	
		20°C	-40°C	150°C	125°C
25 (1T)	3900	0.020	0.11	3100	8000
35 (1G)	2700	0.020	0.11	3100	8000
50 (1U)	1800	0.034	0.19	2800	7000
63 (4E)	1200	0.034	0.19	2900	7300
80 (1R)	800	0.034	0.19	2900	7300

NOTE : Design, Specifications are subject to change without notice.
It is recommended that you shall obtain technical specifications from ELNA to ensure that the component is suitable for your use.