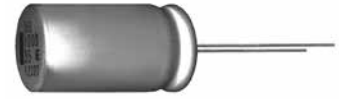
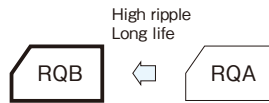


Code in front of series have been extracted from product code, which describes the segment of products, such as type and features.

- Guaranteed 2000 hours at 150°C.
- High temperature, high ripple current capacitor.
- Environmental : GREEN CAP™ , RoHS compliance.

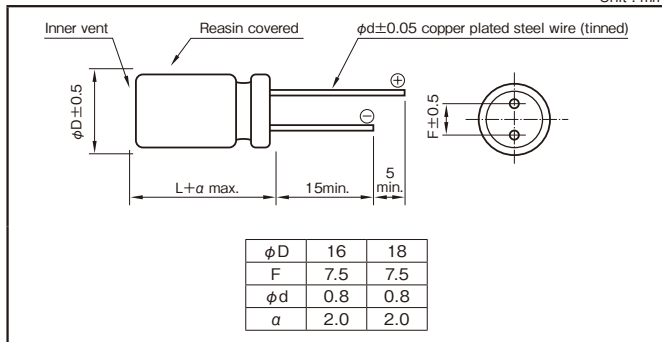


Marking color : Black print

Specifications

Item	Performance								
Category temperature range (°C)	- 40 to + 150								
Tolerance at rated capacitance (%)	± 20 (20°C , 120Hz)								
Leakage current (μA) (max.)	0.01CV or 3 whichever is larger (after 2 minutes) C : Rated capacitance (μF) ; V: Rated voltage (V) (20°C)								
Tangent of loss angle (tan δ)	<table border="1"> <thead> <tr> <th>Rated voltage (V)</th> <th>35</th> <th>50</th> </tr> </thead> <tbody> <tr> <td>tan δ (max.)</td> <td>0.12</td> <td>0.10</td> </tr> </tbody> </table> <p>0.02 is added to every 1000μF increase over 1000μF (20°C , 120Hz)</p>	Rated voltage (V)	35	50	tan δ (max.)	0.12	0.10		
Rated voltage (V)	35	50							
tan δ (max.)	0.12	0.10							
Characteristics at high and low temperature	<table border="1"> <thead> <tr> <th>Rated voltage (V)</th> <th>35</th> <th>50</th> </tr> </thead> <tbody> <tr> <td>Impedance ratio (max.)</td> <td>Z- 40°C / Z+ 20°C</td> <td>3</td> <td>3</td> </tr> </tbody> </table> <p>(120Hz)</p>	Rated voltage (V)	35	50	Impedance ratio (max.)	Z- 40°C / Z+ 20°C	3	3	
Rated voltage (V)	35	50							
Impedance ratio (max.)	Z- 40°C / Z+ 20°C	3	3						
Endurance (150°C) (Applied ripple current)	<table border="1"> <tbody> <tr> <td>Test time</td> <td>2000 hours</td> </tr> <tr> <td>Leakage current</td> <td>The initial specified value or less</td> </tr> <tr> <td>Percentage of capacitance change</td> <td>Within ± 30% of initial value</td> </tr> <tr> <td>Tangent of the loss angle</td> <td>300% or less of the initial specified value</td> </tr> </tbody> </table>	Test time	2000 hours	Leakage current	The initial specified value or less	Percentage of capacitance change	Within ± 30% of initial value	Tangent of the loss angle	300% or less of the initial specified value
Test time	2000 hours								
Leakage current	The initial specified value or less								
Percentage of capacitance change	Within ± 30% of initial value								
Tangent of the loss angle	300% or less of the initial specified value								
Shelf life (150°C)	Test time : 1000hours ; other items are same as the endurance. Voltage application treatment : According to JIS C5101-4 4.1								
Applicable standards	JIS C5101-1, -4 (IEC 60384-1, -4)								

Outline Drawing



Coefficient of Frequency for Rated Ripple Current

Rated capacitance (μF)	Frequency (Hz)	120	1k	10k	100k
1300 to 4700		0.85	0.95	1.00	1

Product code system : 35V2200μF (*For general product)

RS*	RQB	222	M	1G	J26	300	T
Category code	Series code	capacitance code	Cap tol. code	Voltage code	Size code	Lead-forming and packing code	Additional code

- For details, refer to the various "Product Code System" pages.
 - Lead-forming and packing code on this page are for lead long and standard packing products.
- For standard packing, please refer to the "PACKING" page.

Standard Ratings

Case size φD×L (mm)	Size code	Rated voltage (V)	35 (1G)			50 (1U)				
			Rated capacitance (μF)	ESR (Ω max.)		Rated ripple current (mArms)	Rated capacitance (μF)	ESR (Ω max.)		Rated ripple current (mArms)
				20°C	- 40°C			20°C	- 40°C	
16 × 26.5	J26	2200	0.038	0.380	1800	1300	0.040	0.400	1800	
16 × 33	J33	2700	0.032	0.320	2200	1800	0.038	0.380	2200	
16 × 37	J37	3000	0.030	0.300	2600	2000	0.032	0.320	2600	
16 × 41.5	J41	3600	0.027	0.270	3000	2400	0.029	0.290	3000	
18 × 27.5	K27	2400	0.036	0.360	2200	1800	0.034	0.340	2200	
18 × 34	K34	3300	0.028	0.280	2800	2400	0.030	0.300	2700	
18 × 42.5	K42	4700	0.023	0.230	3600	3000	0.023	0.230	3700	

(Note) Rated ripple current : 150°C , 100kHz ; ESR : 100kHz