

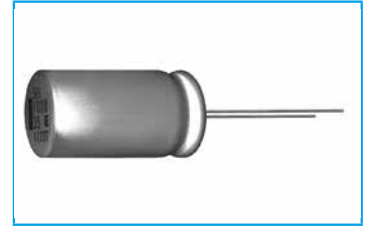
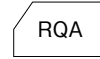
150°C Miniature Capacitors

GREEN CAP **LOW ESR** **150°C 2000hours** **Anti-cleaning solvent**

- 150°C, High temperature guaranteed.
- Guaranteed 2000 hours at 150°C.



High ripple
Long life

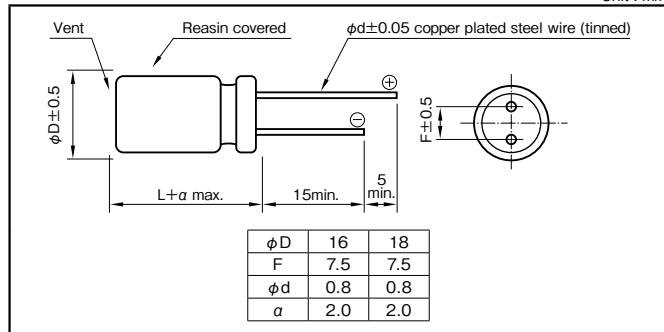


Marking color : Black print

Specifications

| Item | Performance | |
|---|---|---|
| Category temperature range (°C) | - 40 to + 150 | |
| Tolerance at rated capacitance (%) | ± 20 (20°C , 120Hz) | |
| Leakage current (μA) (max.) | 0.01CV or 3 whichever is larger (after 2 minutes) C : Rated capacitance (μF) ; V: Rated voltage (V) (20°C) | |
| Tangent of loss angle (tan δ) | Rated voltage (V) | 35 50 |
| | tan δ (max.) | 0.12 0.10 |
| 0.02 is added to every 1000μF increase over 1000μF (20°C , 120Hz) | | |
| Characteristics at high and low temperature | Rated voltage (V) | 35 50 |
| | Impedance ratio (max.) Z - 40°C / Z + 20°C | 3 3 |
| (120Hz) | | |
| Endurance (105°C) (Applied ripple current) | Test time | 2000 hours |
| | Leakage current | The initial specified value or less |
| | Percentage of capacitance change | Within ± 30% of initial value |
| | Tangent of the loss angle | 300% or less of the initial specified value |
| Shelf life (150°C) | Test time : 1000hours ; other items are same as the endurance. Voltage application treatment : According to JIS C5101-4 4.1 | |
| Applicable standards | JIS C5101-1, -4 (IEC 60384-1, -4) | |

Outline Drawing



Coefficient of Frequency for Rated Ripple Current

| Rated capacitance (μF) | Frequency (Hz) | | | |
|------------------------|----------------|------|------|------|
| | 120 | 1k | 10k | 100k |
| 1300 to 4700 | 0.85 | 0.95 | 1.00 | 1 |

Product code system : 35V2200μF (*For general product)

| | | | | | | | |
|---------------|-------------|------------------|---------------|--------------|-----------|-------------------------------|-----------------|
| RS* | RQB | 222 | M | 1G | J26 | | T |
| Category code | Series code | capacitance code | Cap tol. code | Voltage code | Size code | Lead-forming and packing code | Additional code |

For details, refer to the various "Product Code System" pages.

Standard Ratings

| Case size φD×L (mm) | Size code | Rated voltage (V) | 35 (1G) | | | | 50 (1U) | | | |
|------------------------|-----------|-------------------|------------------------|--------------|--------|------------------------------|------------------------|--------------|--------|------------------------------|
| | | | Rated capacitance (μF) | ESR (Ω max.) | | Rated ripple current (mArms) | Rated capacitance (μF) | ESR (Ω max.) | | Rated ripple current (mArms) |
| | | | | 20°C | - 40°C | | | 20°C | - 40°C | |
| 16 × 26.5 | J26 | 2200 | 0.038 | 0.380 | 1800 | 1300 | 0.040 | 0.400 | 1800 | |
| 16 × 33 | J33 | 2700 | 0.032 | 0.320 | 2200 | 1800 | 0.038 | 0.380 | 2200 | |
| 16 × 37 | J37 | 3000 | 0.030 | 0.300 | 2600 | 2000 | 0.032 | 0.320 | 2600 | |
| 16 × 41.5 | J41 | 3600 | 0.027 | 0.270 | 3000 | 2400 | 0.029 | 0.290 | 3000 | |
| 18 × 27.5 | K27 | 2400 | 0.036 | 0.360 | 2200 | 1800 | 0.034 | 0.340 | 2200 | |
| 18 × 34 | K34 | 3300 | 0.028 | 0.280 | 2800 | 2400 | 0.030 | 0.300 | 2700 | |
| 18 × 42.5 | K42 | 4700 | 0.023 | 0.230 | 3600 | 3000 | 0.023 | 0.230 | 3700 | |

(Note) Rated ripple current : 150°C , 100kHz ; ESR : 100kHz