

RZK, RMK ★NEW VERTICAL CHIP TYPE ALUMINUM ELECTROLYTIC CAPACITORS **ELNA**

Chip Type, 105°C Use, Low ESR, High CV Capacitors

GREEN CAP

SMD

Low ESR

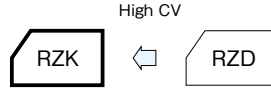
105°C 2000hours

Anti-cleaning solvent

- Compatible with surface mounting.
- Supplied with carrier taping.
- Guaranteed 2000 hours at 105°C .



Marking color : Black print



Specifications

| Item | Performance | | | |
|---|---|---|------|----|
| Category temperature range (°C) | - 55 to + 105 | | | |
| Tolerance at rated capacitance (%) | ± 20 (20°C , 120Hz) | | | |
| Leakage current (µA) (max.) | 0.01CV or 3 whichever is larger (after 2 minutes) C : Rated capacitance (µF) ; V : Rated voltage (V) (20°C) | | | |
| Tangent of loss angle (tanδ) | Rated voltage (V) | 25 | 35 | |
| | tan δ (max.) | 0.14 | 0.12 | |
| 0.02 is added to every 1000µF increase over 1000µF (20°C , 120Hz) | | | | |
| Characteristics at high and low temperature | Impedance ratio (max.) | Rated voltage (V) | 25 | 35 |
| | | Z - 25°C / Z + 20°C | 2 | 2 |
| | | Z - 40°C / Z + 20°C | 3 | 3 |
| | | Z - 55°C / Z + 20°C | 3 | 3 |
| (120Hz) | | | | |
| Endurance (105°C) (Applied ripple current) | Test time | 2000 hours | | |
| | Leakage current | The initial specified value or less | | |
| | Percentage of capacitance change | Within ± 30% of initial value | | |
| | Tangent of the loss angle | 200% or less of the initial specified value | | |
| Shelf life (105°C) | Test time : 1000hours ; other items are same as the endurance. Voltage application treatment : According to JIS C5101-4 4.1 | | | |
| Applicable standards | JIS C5101-1, -18 (IEC 60384-1, -18) | | | |

Coefficient of Frequency for Rated Ripple Current

| Frequency (Hz) | 50 · 60 | 120 | 1k | 10k · 100k |
|----------------------------|---------|------|------|------------|
| Rated voltage (V) 25 to 35 | 0.50 | 0.50 | 0.75 | 1 |

Refer to individual page.
(Soldering conditions, Land pattern size, The taping specifications)

Part numbering system

Standard Type (example : 35V680µF)

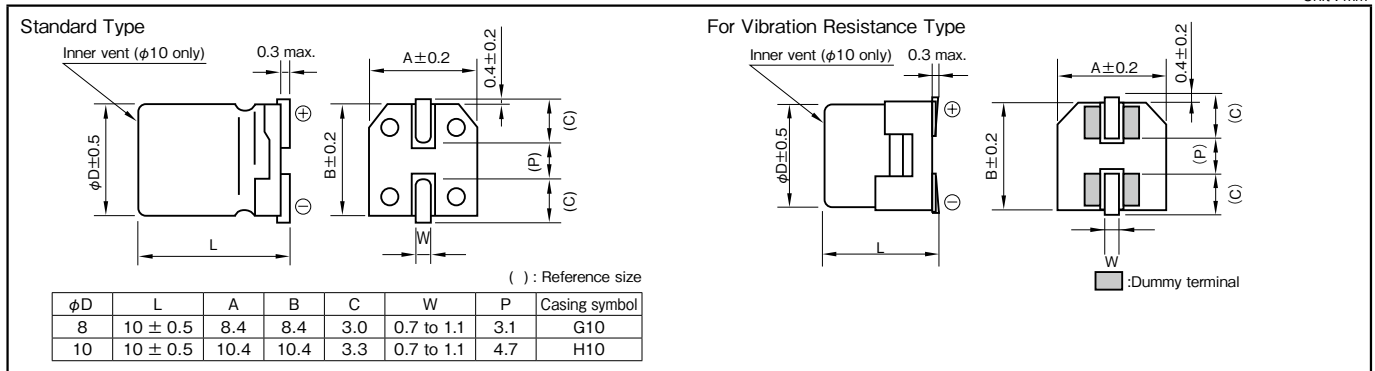
| | | | | | | | | | |
|-------------|---|----------------------|---|--------------------------|------------------------------|---------------|---|---|---------------|
| RZK | — | 35 | V | 681 | M | H10 | U | — | □ |
| Series code | | Rated voltage symbol | | Rated capacitance symbol | Capacitance tolerance symbol | Casing symbol | | | Taping symbol |

For Vibration Resistance Type (example : 35V680µF)

| | | | | | | | | | |
|-------------|---|----------------------|---|--------------------------|------------------------------|---------------|---|---|---------------|
| RMK | — | 35 | V | 681 | M | H10 | U | — | □ |
| Series code | | Rated voltage symbol | | Rated capacitance symbol | Capacitance tolerance symbol | Casing symbol | | | Taping symbol |

Outline Drawing

Unit : mm



Standard Ratings

| Rated voltage (V) | 25 | | | | 35 | | | |
|-------------------|------------------|---------------|--------------|------------------------------|------------------|---------------|--------------|------------------------------|
| | Case φD × L (mm) | Casing symbol | ESR (Ω max.) | Rated ripple current (mArms) | Case φD × L (mm) | Casing symbol | ESR (Ω max.) | Rated ripple current (mArms) |
| 470 | — | — | — | — | 8 × 10 | G10 | 0.08 | 850 |
| 560 | 8 × 10 | G10 | 0.08 | 850 | — | — | — | — |
| 680 | — | — | — | — | 10 × 10 | H10 | 0.06 | 1190 |
| 1000 | 10 × 10 | H10 | 0.06 | 1190 | — | — | — | — |

(Note) Rated ripple current : 105°C , 100kHz
ESR : 20°C , 100kHz

NOTE : Design, Specifications are subject to change without notice.
It is recommended that you shall obtain technical specifications from ELNA to ensure that the component is suitable for your use.